

Instrumxx Industries

Manufacturer & Exporters



AIR HEADER

Specification :

Material of Construction (MOC): Stainless Steel, Carbon Steel, Hot Dip Galvanize Carbon Steel.

Description :

Header Pipe : Air Header Pipe constructed from Seamless Pipe, size 1-1/2" & 2" NB schedule 40 and 80. Caps or Reducers welded to the pipe is manufactured from forge material.

Inlet Connection : Flange or three piece union type connection.

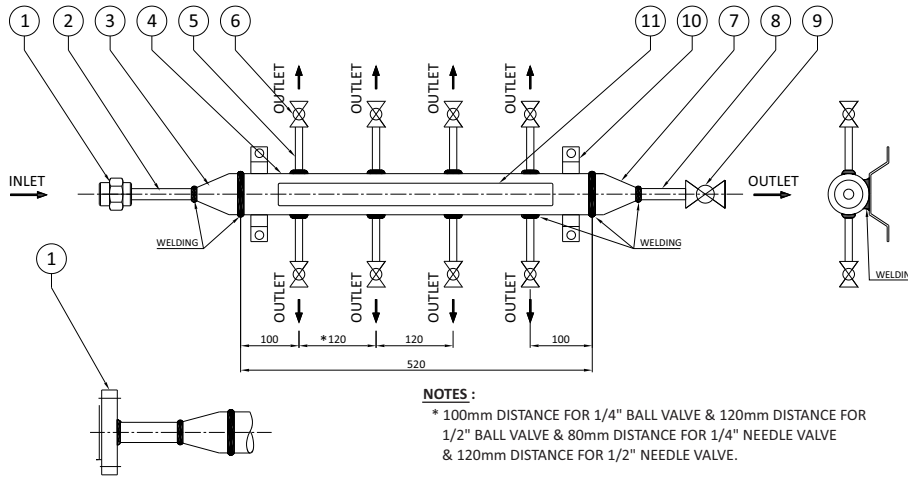
Outlet Connection : 4, 6, 8, 10, 12, 16, 18 or as per customer requirement. This outlet Connection are provided with IXX make Ball or Needle Valve of 1/4", 3/8", 1/2" sizes. Nipple used for all the above connections are manufactured from seamless pipe.

Drain Connection : 1/2" or 1" Ball Valve, Needle Valve, Gate Valve, Globe Valve as per customer requirement.

Mounting : Bracket can be provide as option.

Testing : Air Headers are tested at 150 PSI Pneumatically and 1000 PSI Hydraulically.

Illustration :



SR.NO.	DESCRIPTION	SIZE	MATERIAL	QTY.
1	FLANGE / THREE PIECE UNION	1"x150#, RF / 1" SCR.D.	SS 316	1
2	NIPPLE (50mm LONG)	1" NPTMxPLAIN	SS 316	1
3	CONCENTRIC REDUCER	2" BWx1" BW, SCH40	SS 316	1
4	PIPE (560mm LONG)	50NB x SCH40, SMLS	SS 316	1
5	NIPPLE (50mm LONG)	1/4" NPTMxPLAIN	SS 316	8
6	BALL VALVE	1/4" NPTF	SS 316	8
7	CONCENTRIC REDUCER	2" BWx1/2" BW, SCH40	SS 316	1
8	NIPPLE (50mm LONG)	1/2" NPTMxPLAIN	SS 316	1
9	BALL VALVE	1/2" NPTF	SS 316	1
10	BRACKET FOR MOUNTING	-----	S.S.	2
11	TAG PLATE	-----	S.S.	1

Ordering Information :

PART CODE	PIPE SIZE	PIPE SCHEDULE	NOS. OF OUTLET	INLET CONN. (FLANGE OR 3PIECE UNION)	OUTLET CONN. (VALVE TYPE & SIZE)	DRAIN CONN. (VALVE TYPE & SIZE)	MATERIAL
AHDP	24P	4S	OL4	8FL 15CL	NV 4NF	BV 8NF	S1
PART CODE	DESIGNATOR	NOS. OF OUTLET	DESIGNATOR	OUTLET CONNECTION	DESIGNATOR	DRAIN CONNECTION	DESIGNATOR
AIR HEADER DISTRIBUTER.....	AHD	4.....	OL4	NEEDLE VALVE - 1/4" NPT-F.....	NV 4NF	BALL VALVE - 1/2" NPT-F.....	BV 8NF
PIPE SIZE	DESIGNATOR	6.....	OL6	NEEDLE VALVE - 3/8" NPT-F.....	NV 6NF	BALL VALVE - 1/4" NPT-F.....	BV 4NF
1-1/2".....	24P	8.....	OL8	NEEDLE VALVE - 1/2" NPT-F.....	NV 8NF	BALL VALVE - 3/8" NPT-F.....	BV 6NF
2".....	32P	10.....	OL10	BALL VALVE - 1/2" NPT-F.....	BV 8NF	BALL VALVE - 1/2" NPT-F.....	BV 8NF
PIPE SCHEDULE	DESIGNATOR	12.....	OL12	DRAIN CONNECTION	DESIGNATOR	MATERIAL TYPE	DESIGNATOR
40.....	4S	14.....	OL14	BALL VALVE - 1/2" NPT-F.....	BV 8NF	ASTM A106.....	S1
80.....	8S	16.....	OL16	BALL VALVE - 1/4" NPT-F.....	BV 4NF	ASTM A312 TP316.....	S2
INLET CONNECTION	DESIGNATOR	INLET CONNECTION	DESIGNATOR	ASTM A312 TP304.....	S3		
FLANGE 1/2"x150#.....	8FL 15CL	FLANGE 1"x150#.....	16FL 15CL				
FLANGE 1/2"x300#.....	8FL 30CL	FLANGE 1"x300#.....	16FL 30CL				
3PIECE UNION.....	3PU						

Note : Product code for Air Headers shall be provided on submission of our drawing.



AIR HEADER - BAR STOCK TYPE

Specification :

Material of Construction (MOC) : Stainless Steel, Carbon Steel.

Description:

Header Body : Air Header body constructed from Bar stock.

Inlet Connection : 1/2", 3/4" NPTF threaded type connection.

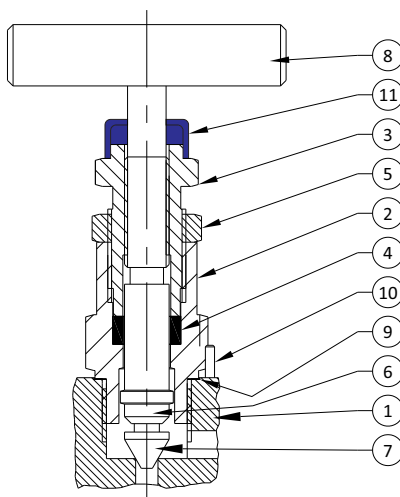
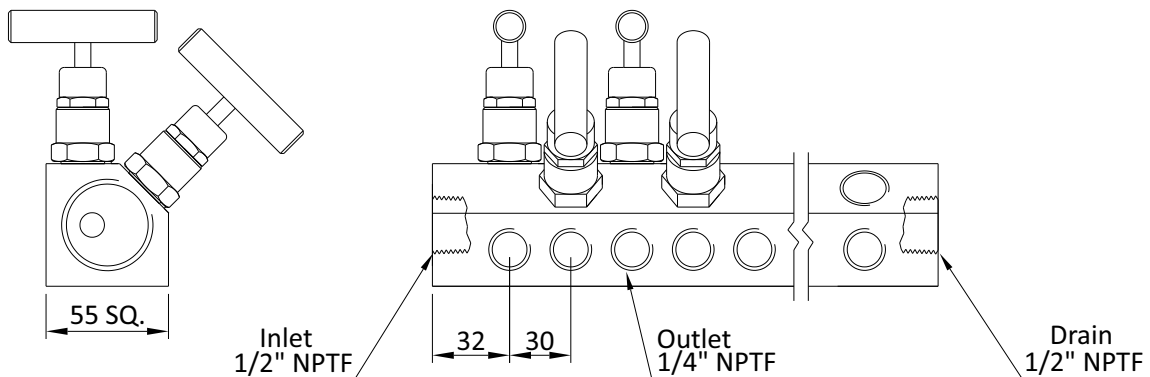
Outlet Connection : 4, 6, 8, 10, 12, 16 or as per customer requirement. This outlet Connection 1/4" NPTF are provided with IXX make Needle Valve Bonnet Assembly.

Drain Connection : 1/2" NPTF.

Mounting : Bracket can be provide as option.

(Recommended for High Pressure above #3000 PSI)

Illustration :



BONNET ASSEMBLY

NOS.	DESCRIPTION	QTY.	MATERIAL
1	BODY	1	S.S.316
2	BONNET	1	S.S.316
3	GLAND RETAINER	1	S.S.304
4	GLAND SEAL	2	PTFE
5	CHECK NUT	1	S.S.304
6	STEM	1	S.S.316
7	TIP	1	S.S.316
8	HANDLE	1	S.S.
9	WASHER	1	S.S.
10	LOCK PIN	1	S.S.
11	DUST CAP	1	PVC

ILLUSTRATION FOR SS316 ASSEMBLY.



Gala No. 3, Ground Floor, Rajprabha Landmark, industrial Estate Bldg No. 4, Sativali Road, Boidapada,
Vasai East, Palghar, Maharashtra – 401208.

+91 98201 01803, +91 99304 82856 | Info@instrumxx.co.in, sales@instrumxx.co.in

www.instrumxx.co.in