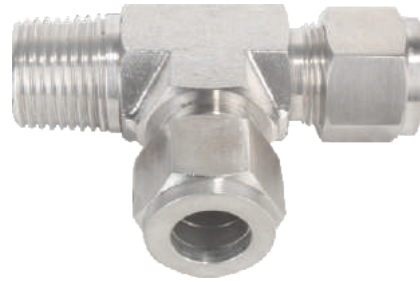
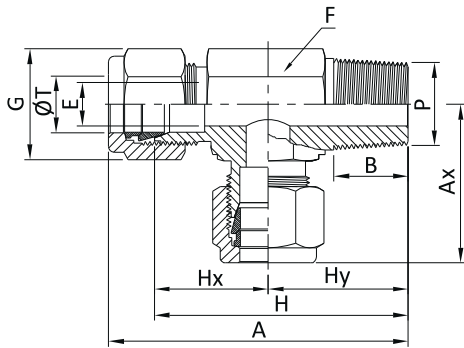


Instrumxx Industries

Manufacturer & Exporters



MALE RUN TEE



(INCH OD Tubes X Male NPT)

Instrumxx PRODUCT CODE	End Conn.		A	Ax	B	ØE	F A/F	G A/F	Hy	H	Hx
	T Tube OD (in)	P NPT Male (in)									
(mm)											
IXX-MRT-2-2N	1/8	1/8	41.4	23.6	9.6	2.4	11.0	11.0	17.8	34.8	17.0
IXX-MRT-2-4N	1/8	1/4	48.0	24.6	14.3	2.4	14.0	11.0	23.4	41.4	18.0
IXX-MRT-4-2N	1/4	1/8	45.7	26.9	9.6	4.8	14.0	14.0	18.8	38.4	19.6
IXX-MRT-4-4N	1/4	1/4	50.3	26.9	14.3	4.8	14.0	14.0	23.4	43.0	19.6
IXX-MRT-4-6N	1/4	3/8	55.9	29.7	14.3	4.8	19.0	14.0	26.2	48.8	22.4
IXX-MRT-4-8N	1/4	1/2	64.8	31.8	19.1	4.8	22.0	14.0	33.0	57.4	24.4
IXX-MRT-6-4N	3/8	1/4	55.9	30.5	14.3	7.1	17.0	17.0	25.4	48.5	23.1
IXX-MRT-6-6N	3/8	3/8	57.4	31.2	14.3	7.1	19.0	17.0	26.2	50.1	23.9
IXX-MRT-6-8N	3/8	1/2	66.0	33.0	19.1	7.1	22.0	17.0	33.0	58.9	25.9
IXX-MRT-8-4N	1/2	1/4	64.2	36.0	14.3	4.8	22.0	22.0	28.2	54.1	25.9
IXX-MRT-8-6N	1/2	3/8	64.2	36.0	14.3	9.6	22.0	22.0	28.2	54.1	25.9
IXX-MRT-8-8N	1/2	1/2	69.0	36.0	19.1	10.4	22.0	22.0	33.0	58.9	25.9
IXX-MRT-10-8N	5/8	1/2	73.1	38.1	19.1	11.9	22.0	25.0	35.0	62.9	27.9
IXX-MRT-12-8N	3/4	1/2	76.7	39.9	19.1	11.9	27.0	29.0	36.8	66.5	29.7
IXX-MRT-12-12N	3/4	3/4	76.7	39.9	19.1	15.8	27.0	29.0	36.8	66.5	29.7
IXX-MRT-16-12N	1	3/4	90.6	49.0	19.1	15.8	35.0	38.0	41.6	78.4	36.8
IXX-MRT-16-16N	1	1	95.5	49.0	23.8	22.3	35.0	38.0	46.5	83.3	36.8
IXX-MRT-20-20N	1-1/4	1-1/4	114.1	66.5	23.8	27.6	46.0	50.0	47.6	92.1	44.5
IXX-MRT-24-24N	1-1/2	1-1/2	138.4	78.0	26.2	34.0	55.0	57.0	60.4	111.2	50.8

(METRIC OD Tubes X Male NPT)

Instrumxx PRODUCT CODE	End Conn.		A	Ax	B	ØE	F A/F	G A/F	Hy	H	Hx
	T Tube OD (mm)	P NPT Male (in)									
(mm)											
IXX-MRT-3M-2N	3	1/8	41.4	23.6	9.6	2.4	11.0	11.0	17.8	34.8	17.0
IXX-MRT-3M-4N	3	1/4	48.0	24.6	14.3	2.4	14.0	11.0	23.4	41.4	18.0
IXX-MRT-6M-2N	6	1/8	45.8	27.0	9.6	4.8	14.0	14.0	18.8	38.9	19.6
IXX-MRT-6M-4N	6	1/4	50.4	27.0	14.3	4.8	14.0	14.0	23.4	43.0	19.6
IXX-MRT-6M-6N	6	3/8	56.0	29.8	14.3	4.8	19.0	14.0	26.2	48.6	22.4
IXX-MRT-8M-4N	8	1/4	53.2	28.8	14.3	6.3	14.0	16.0	24.4	45.7	21.3
IXX-MRT-8M-6N	8	3/8	56.8	30.6	14.3	6.3	19.0	16.0	26.2	49.3	23.1
IXX-MRT-8M-8N	8	1/2	65.6	32.6	19.1	6.3	22.0	16.0	33.0	58.1	25.1
IXX-MRT-10M-4N	10	1/4	57.7	31.5	14.3	7.1	17.0	19.0	26.2	50.1	23.9
IXX-MRT-10M-6N	10	3/8	57.7	31.5	14.3	7.9	19.0	19.0	26.2	50.1	23.9
IXX-MRT-10M-8N	10	1/2	66.5	33.5	19.1	7.9	22.0	19.0	33.0	58.9	25.9
IXX-MRT-12M-4N	12	1/4	62.2	36.0	14.3	7.1	22.0	22.0	26.2	52.1	25.9
IXX-MRT-12M-6N	12	3/8	62.2	36.0	14.3	9.5	22.0	22.0	28.2	52.1	25.9
IXX-MRT-12M-8N	12	1/2	69.0	36.0	19.1	9.5	22.0	22.0	33.0	58.9	25.9
IXX-MRT-16M-8N	16	1/2	73.1	38.0	19.1	11.9	24.0	25.0	35.1	64.0	27.9
IXX-MRT-25M-12N	25	3/4	90.8	49.1	19.1	15.8	35.0	38.0	41.7	78.5	36.8
IXX-MRT-25M-16N	25	1	95.6	49.1	23.8	21.8	35.0	38.0	46.5	83.3	36.8
IXX-MRT-30M-20N	30	1-1/4	120.0	66.9	23.8	26.2	45.0	50.0	53.1	101.4	48.3
IXX-MRT-32M-20N	32	1-1/4	125.4	72.3	23.8	27.6	45.0	50.0	53.1	102.4	49.3
IXX-MRT-38M-24N	38	1-1/2	144.4	84.0	26.2	33.7	55.0	57.0	60.4	116.8	56.4





Gala No. 3, Ground Floor, Rajprabha Landmark, industrial Estate Bldg No. 4, Sativali Road, Boidapada,
Vasai East, Palghar, Maharashtra – 401208.

+91 98201 01803, +91 99304 82856 | Info@instrumxx.co.in, sales@instrumxx.co.in

www.instrumxx.co.in