

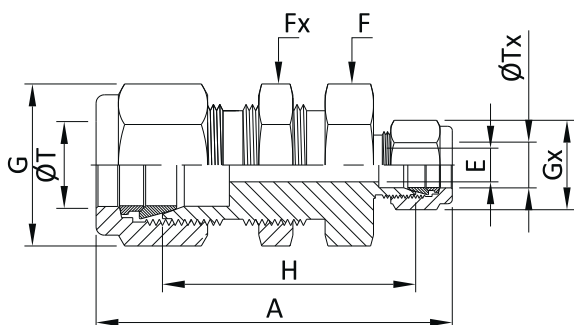


# Instrumxx Industries

Manufacturer & Exporters



# BULKHEAD REDUCING UNION



## (INCH OD Tubes)

| Instrumxx<br>PRODUCT<br>CODE | End Conn.               |                          | A    | ØE  | F<br>A/F | G<br>A/F | Gx<br>A/F | Fx<br>A/F | H    |
|------------------------------|-------------------------|--------------------------|------|-----|----------|----------|-----------|-----------|------|
|                              | T<br>Tube<br>OD<br>(in) | Tx<br>Tube<br>OD<br>(in) |      |     |          |          |           |           |      |
| IXX-BHRU-4-2                 | 1/4                     | 1/8                      | 55.2 | 2.4 | 16.0     | 14.0     | 11.0      | 16.0      | 41.2 |
| IXX-BHRU-6-4                 | 3/8                     | 1/4                      | 60.7 | 4.8 | 22.0     | 17.0     | 14.0      | 22.0      | 46.0 |
| IXX-BHRU-8-4                 | 1/2                     | 1/4                      | 66.8 | 4.8 | 24.0     | 22.0     | 14.0      | 24.0      | 49.2 |
| IXX-BHRU-8-6                 | 1/2                     | 3/8                      | 66.8 | 7.1 | 24.0     | 22.0     | 17.0      | 24.0      | 49.2 |

## (METRIC OD Tubes)

| Instrumxx<br>PRODUCT<br>CODE | End Conn.               |                          | A    | ØE  | F<br>A/F | G<br>A/F | Gx<br>A/F | Fx<br>A/F | H    |
|------------------------------|-------------------------|--------------------------|------|-----|----------|----------|-----------|-----------|------|
|                              | T<br>Tube<br>OD<br>(mm) | Tx<br>Tube<br>OD<br>(mm) |      |     |          |          |           |           |      |
| IXX-BHRU-6M-3M               | 6                       | 3                        | 56.0 | 2.4 | 16.0     | 14.0     | 11.0      | 16.0      | 41.2 |
| IXX-BHRU-8M-6M               | 8                       | 6                        | 61.0 | 4.8 | 17.0     | 16.0     | 14.0      | 17.0      | 48.0 |
| IXX-BHRU-10M-6M              | 10                      | 6                        | 63.7 | 4.8 | 22.0     | 19.0     | 14.0      | 22.0      | 48.5 |
| IXX-BHRU-12M-6M              | 12                      | 6                        | 71.0 | 4.8 | 24.0     | 22.0     | 14.0      | 24.0      | 50.8 |
| IXX-BHRU-12M-10M             | 12                      | 10                       | 71.0 | 7.9 | 24.0     | 22.0     | 17.0      | 24.0      | 50.8 |



**Instrum**   
**XTRA QUALITY - XTRA ENDURANCE**

Gala No. 3, Ground Floor, Rajprabha Landmark, industrial Estate Bldg No. 4, Sativali Road, Boidapada,  
Vasai East, Palghar, Maharashtra – 401208.

+91 98201 01803, +91 99304 82856 | [Info@instrumxx.co.in](mailto:Info@instrumxx.co.in), [sales@instrumxx.co.in](mailto:sales@instrumxx.co.in)

[www.instrumxx.co.in](http://www.instrumxx.co.in)